



ROLLER

Front-Cutter • Front-Roller

CUTTING AND CRUMBLING FOR
A GOOD SEEDBED PREPARATION.



Regent

Front Cutter

Front-Cutter

- Discs elements in two rows care for a good crushing effect.
- Through the wave profile of the discs a good levelling can be achieved.
- F-WW (2-rowed wave clumb disc)
- The interlocking discs avoid blockages
- Knife tine section in 2 rows, front spring tine section or Vibro front plate spring section enable an optimal cultivation also at heavy soils
- Optionally: Front hitch with fast mounting triangle



Front-Cutter WW
with Vibro front plate spring section

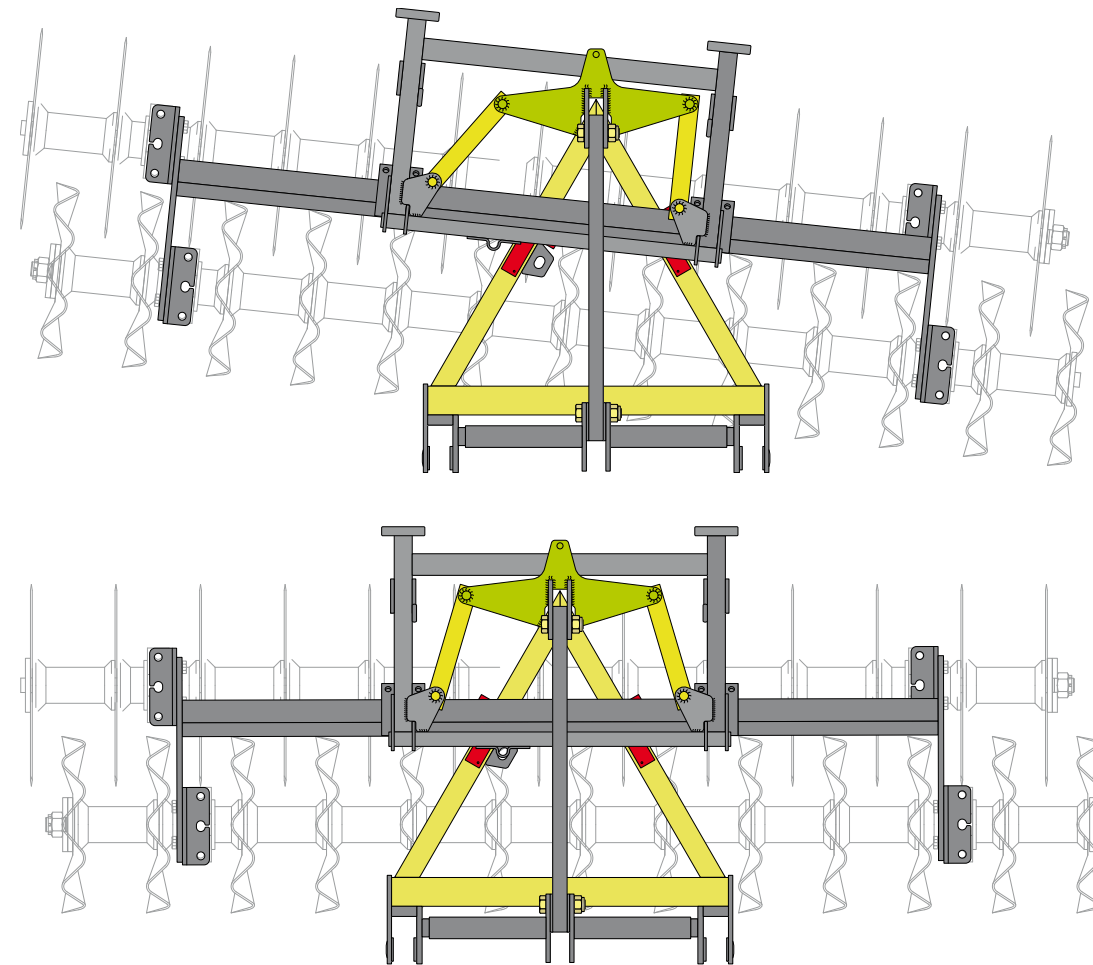
Front-Cutter Type „T“

- A 2-part tube roller serves as depth guidance
- They can be adjusted infinitely via a spindle
- A considerably advantage is that the depth guidance can be used as an additional re-solidification



Front-Cutter WW „T“
with tube roller serves and front knife tine

CUTTING AND CRUMBLING FOR A GOOD SEEDBED PREPARATION.



Through the trapezium guide the rollers are directed automatically into the direction of motion.

- Easily guidable
- Fuel saving
- Low-wear

...AS A LOT OF ORGANIC RESIDUE IS A REASON BUT NO OBSTACLE.

Front Roller

Front-Cutter

- Good crushing effect through the wipe baulk which is adjustable between the rings
- Big dimensioned ring profiles (610 mm) enable an optimal re-compression and a blockage-free working also at different types of soils
- Different front tools enable optimal cultivation.
- (front baulk with spring tines – 2-rowed, front knife tine section or Vibro front plate spring section)
- For extreme assignment the front packer can be equipped with additional weights
- Optionally: Front hitch with fast mounting triangle



Front ring roller
with spring tines



Multifunktionelle Anwendung der Front-Ringwalze als Nachlaufwerkzeug bei Tukan Grubber.



Front-Ringwalze mit Messvorsatz

FOR EVERY USE THE RIGHT
FRONT OR REAR ROLLER!



Front-Cutter	Working width cm	Transport width cm	Guideable	Discs / rollers ø mm	Weight kg			
					Without front tool	With front balk with spring tines	With front knife tine section	with Vibro front plate spring section
F-WW 300	300	300	✓	500	770	880	870	910
F-WW T 300	300	300	✓	500	900	1030	1020	1060
Front- RW								
FL-RW 250	250	250	✓	610	470	540	530	560
FL-RW 300	300	300	✓	610	530	640	630	670

Regent Pflugfabrik GmbH
Bahnhofstr. 105
4800 Attnang-Puchheim
Austria



Tel. +43 7674 62661
Fax. +43 7674 62207
info@regent.at
www.regent.at